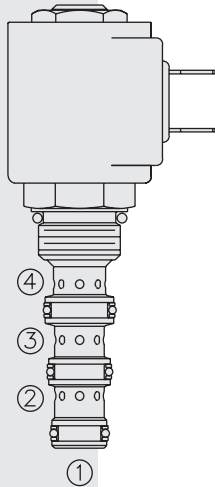


SV08-40 Spool, 4-Way, 2-Position



DESCRIPTION

A solenoid-operated, 4-way, 2-position, direct-acting spool-type, screw-in hydraulic cartridge valve.

OPERATION

When de-energized, the **SV08-40** flow paths are ③ to ②, and ④ to ①. When energized, the valve's spool shifts to open ③ to ④, and ② to ①. All ports are open at cross-over.

Operation of Manual Override Option: To override, push button in and twist counterclockwise 180°. The internal spring will push the button out. In this position, the valve may be only partially shifted. To assure full override shift, pull the button out to its fullest extension and hold it in this position.

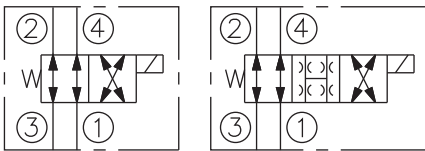
To return to normal valve function, push button in, twist clockwise 180°, and release. Override will be detented in this position.

FEATURES

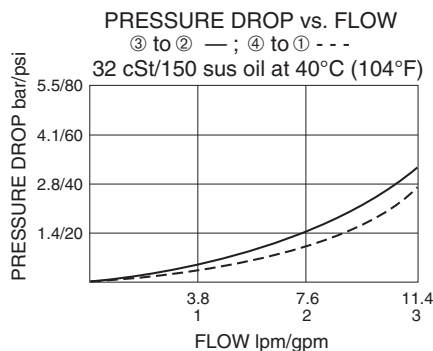
- Continuous-duty rated solenoid.
- Hardened precision spool and cage for long life.
- Optional coil voltages and terminations.
- Efficient wet-armature construction.
- All ports may be fully pressurized.
- Cartridges are voltage-interchangeable.
- Manual override option.
- Optional waterproof E-Coils rated up to IP69K.
- Unitized, molded coil design.
- Compact size.

ISO SYMBOL

TRANSITION:



PERFORMANCE (Cartridge Only)



RATINGS

Operating Pressure: 207 bar (3000 psi)

Proof Pressure: 240 bar (3500 psi)

Burst Pressure: 620 bar (9000 psi)

Flow Rating: See Performance Chart

Internal Leakage: 82 ml/minute (5 cu. in./minute) max. at 207 bar (3000 psi); Port 1 Energized: 164 ml/minute (10 cu.in./minute)

Temperature: -40 to 100 °C (-40 to 212 °F) with standard Buna seals; -26 to 204 °C (-15 to 400 °F) with fluorocarbon seals; -54 to 107 °C (-65 to 225 °F) with polyurethane seals.

Coil Duty Rating: Continuous from 85% to 115% of nominal voltage

Initial Coil Current Draw at 20 °C: Standard Coil: 1.2 A at 12 Vdc

0.13 A at 115 Vac (full wave rectified);

E-Coil: 1.4 A at 12 Vdc; 0.7 A at 24 Vdc

Minimum Pull-in Voltage: 85% of nominal at 207 bar (3000 psi)

Drop-Out Voltage: 5%

Filtration: See page 9.010.1

Fluids: Mineral-based or synthetics with lubricating properties at viscosities of 7.4 to 420 cSt (50 to 2000 sus); See Temperature and Oil Viscosity, page 9.060.1

Installation: No restrictions; See page 9.020.1

Cavity: VC08-4; See page 9.108.1

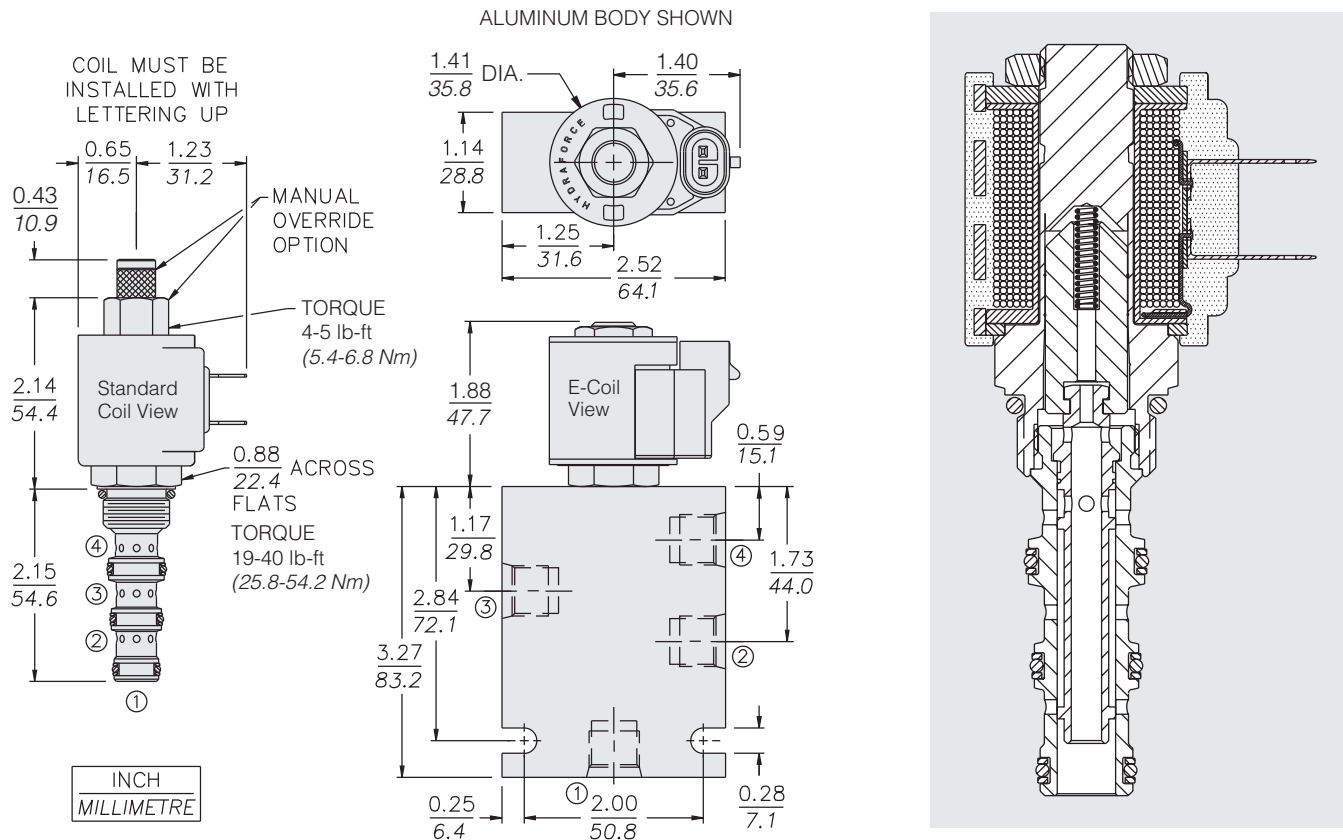
Cavity Tool: CT08-4XX; See page 8.600.1

Seal Kit: SK08-4X-MMM; See page 8.650.1

Coil Nut: Part No. 7004400;

For E-coils manufactured prior to 1-1-04, see page 3.400.1 for coil nut info.

DIMENSIONS



MATERIALS

Cartridge: Weight: 0.11 kg (0.25 lb); Steel with hardened work surfaces. Zinc-plated exposed surfaces; Buna N O-rings and back-ups standard.

Standard Ported Body: Weight: 0.27 kg (0.60 lb); Anodized high-strength aluminum alloy, rated to 207 bar (3000 psi); Ductile iron bodies available; dimensions may differ. See page 8.008.1.

Standard Coil: Weight: 0.11 kg (0.25 lb); Unitized thermoplastic encapsulated, Class H high temperature magnet wire. See page 3.200.1.

E-Coil: Weight: 0.14 kg (0.3 lb); Perfect wound, fully encapsulated with rugged external metal shell; Rated up to IP69K with integral connectors. See page 3.400.1 for all E-Coil retrofit applications.

TO ORDER

